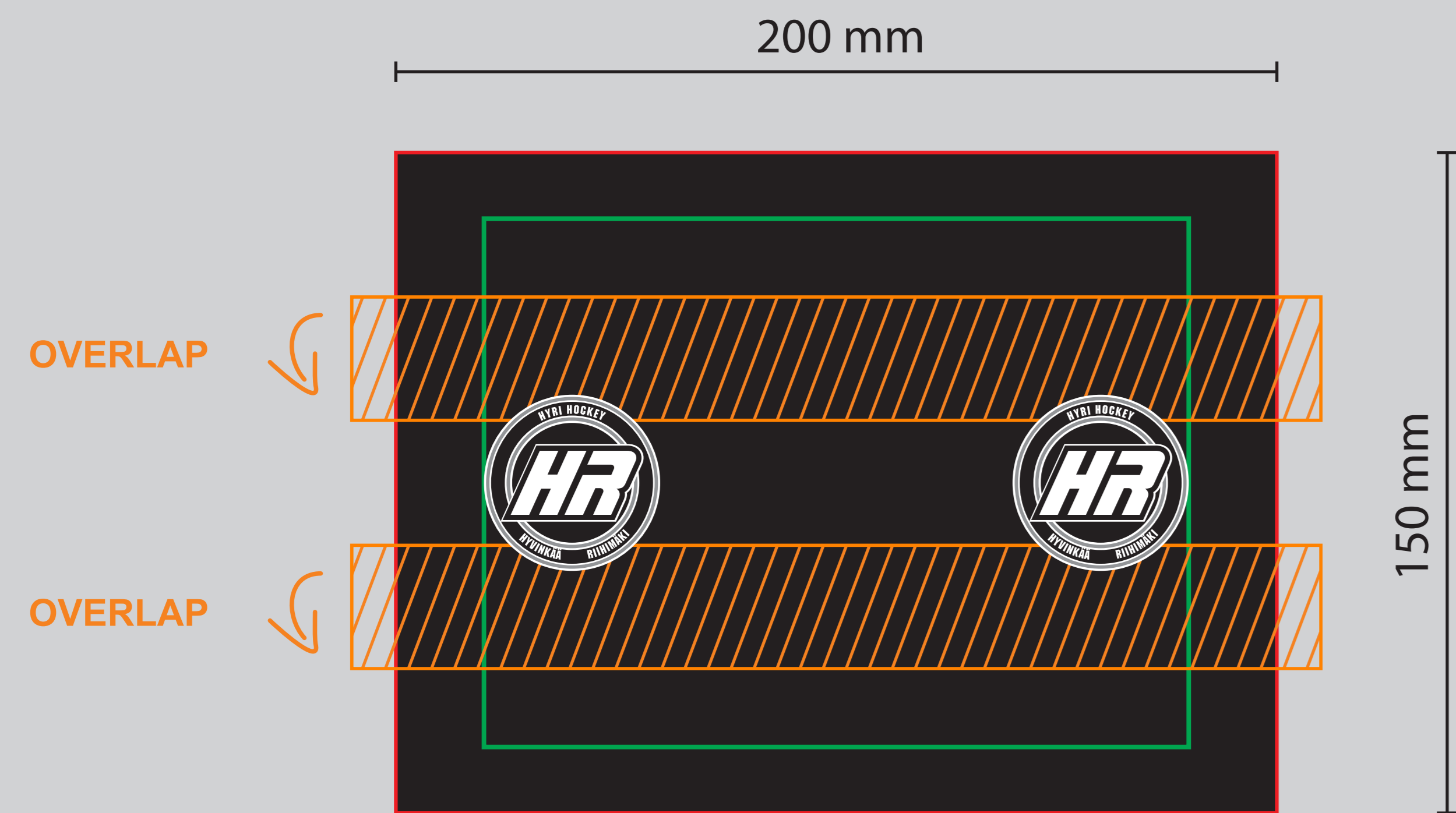


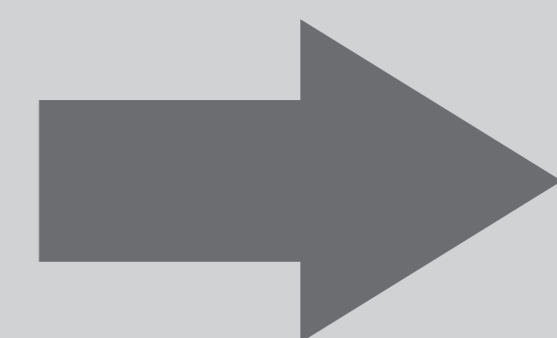
Premium
Full color logo

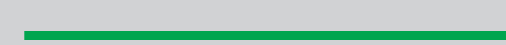

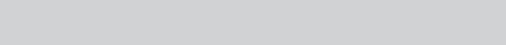
PROTECTION MASK

Possible imprint shift:  **±5 mm**



UNFOLDED MATERIAL



- SAFE AREA**  **160 x 120 mm**
- MASK SIZE (unfolded)**  **200 x 150 mm**
- MASK SIZE (folded)**  **200 x 90 mm (+/- 20%)**

1 layer
microfiber 205g/sqm

2 layers
polyester + cotton

 Colors in CMYK

TIGHT WITH STRING

ELASTIC BAND

 **Important - please read**

Manufacturer General Order Terms and Conditions of the Order.

1. Design - especially logo and texts - shall be provided in vector graphics .cdr; .ai; .eps; .pdf. We also request you to send us a JPG visual with the logo placement.
2. In the case of files sent in bitmap only, we have no influence on the print colour, sharpness and visibility.
With the use of this type of graphics, complaints will not be taken into account. Before making such production, sample preparation is highly recommended.
3. Colors should be defined only by Pantone Matching System for coated papers (C).
All colours included are for visual purposes only and should not be regarded as the actual colour of final product and print.
Colour tolerance of +/- 2 PMS tone shall be acceptable by the client.
4. Customer is responsible for any errors (spelling, typing, logo, font, etc.) found after the final proof has been approved.
Claims on errors on the design after its approval will not be taken into account.
5. Due to the substrate (fabric tape/ material and its elastic properties), the print of logotypes/graphics may be executed with certain deviation from the centre of the tape/material. In case of printing on a narrow fabric tape/ material (e.g. lanyard), the permissible deviation tolerance amounts to +/- 2 mm. In case of printing other materials (e.g. tube bandana, eyeglass cleaning cloths) amounts to +/- 3 cm or 10% of the imprint size.
6. Minimum height of the text placed in the design is 2mm. All letters and numbers smaller than 2 mm may be unreadable when printed.
7. We reserve the right to adjust the design and logo positioning to requirements in a manner appropriate to the technology.
8. Please note: All RE-ORDERS are being treated as NEW ORDERS and the rules above apply.
Placing the re-order, customer accepts that there may be a difference in colour between the previous and new production.
9. If the colours are not dened in Pantones from Pantone solid coated scale, we do not take the responsibility for the colours after printing.
10. Before proceeding with mass production, we strongly recommend to make a pre-production sample. If no sample made, post production claims will not be accepted.
11. The customer bears full responsibility if as a result of the order realization the rights of the third parties have been violated.
The customer shall release manufacturer from any third party claims as a result of such rights violation.
12. If the order shipment is postponed by the Client, the order is stored at their expense and risk.
13. We do not bear the responsibility for postal and courier services.
14. Regarding orders for lanyards with safety break, we advise to place safety break ca. 10-15 cm above the metal hook - not on the neck. When placing the safety break on the neck client takes the full responsibility for eventual itching or irritation that may appear while wearing the lanyard.
15. Placing the order, the client accepts the above rules.

By placing the order, the Customer agrees to the above General Terms and Conditions of the Order.